

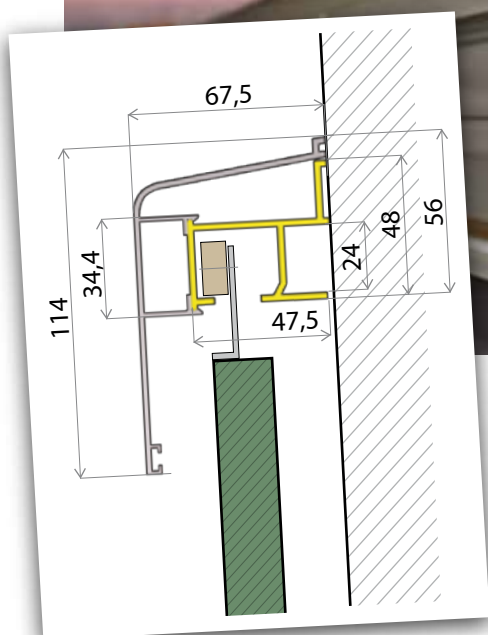
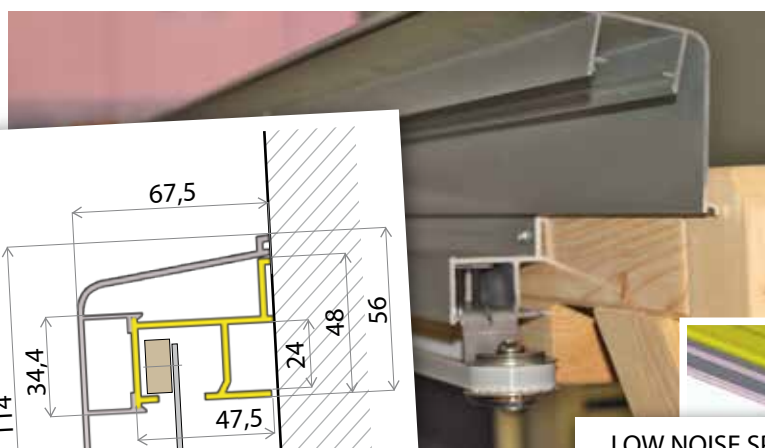


Special automations/
Automations for swing and sliding shutters

SLIDING VOLET

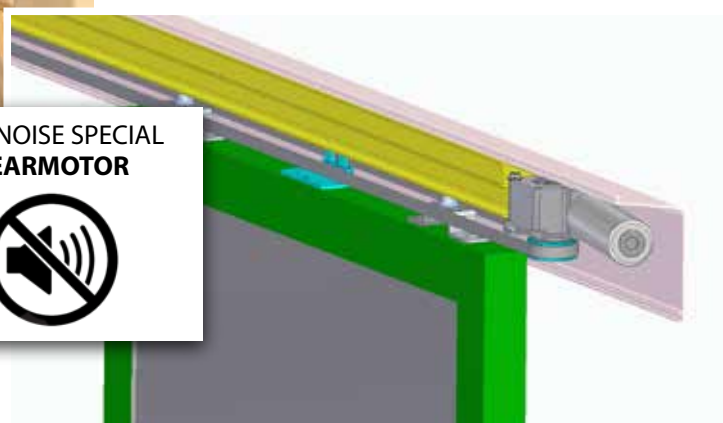


Opening shutters is going to get easier and easier, quiet and SMART, thanks to the modern automation conceived by **ABEXO**.



SMART - "CONNECTED"
AUTOMATION THAT CAN BE
REMOVED OPENED

**LOW NOISE SPECIAL
GEARMOTOR**



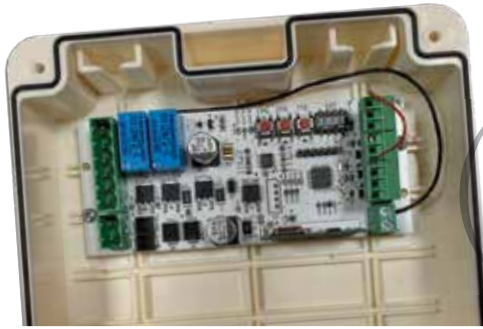
NEWS

CONTROL UNIT WITH
SWITCHING
POWER SUPPLY



TECHNICAL SPECIFICATIONS

- control unit's voltage: 230vac +/-10%
- motors' voltage: 12vdc
- low energy consumption
- extractable terminal board
- back up battery option
- operating temperature: -15°, +50°C

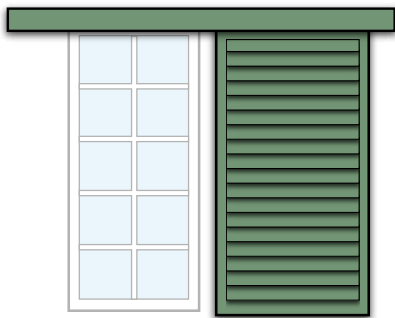


COMMANDS IN LOCAL AND
CENTRALIZED **VIA WIRES,**
VIA RADIO (433 MHz)



APE - 150 / 4010

EGO-VOLET
Transmitter
433 MHz



Weight: 80Kg

APE-150/4025



VOLET groove
length 2,5m

APE-150/4001



kit accessories for 1
shutters' VOLET



Weight: 45+45Kg

APE-150/4040



VOLET groove
length 4m

APE-150/4002



kit accessories for 2
shutters' VOLET

SWING VOLET

Opening shutters is going to get easier and easier, quiet and SMART, thanks to the modern automation conceived by **ABEXO**.

We're working on a project meant to provide you a brand new, technological, smart and quiet automation for **swing shutters**.



WORK IN PROGRESS