

BOXX

NEW



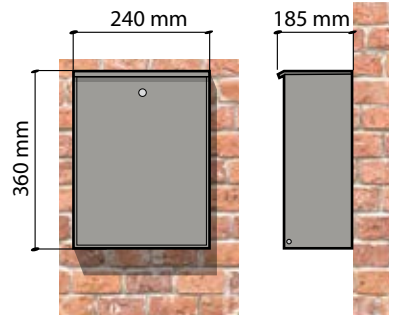
Line of PORTA CENTRAL BOXES enclosures

The BOXX containers for control units, with a modern and compact design, include a range of versions manufactured entirely in stainless steel and adaptable to any need.



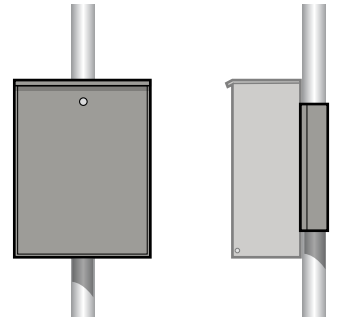
BOXX
 Wall-mounted container

APE - 150 / 5020
BOXX



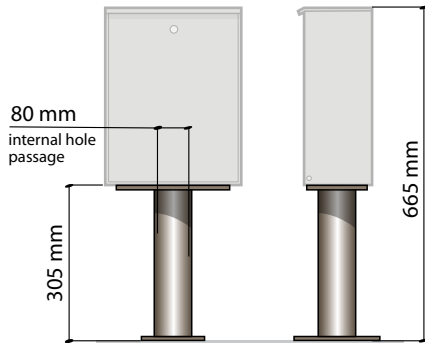
BOXX-STP
 Mounting bracket
 BOXX pole

APE - 150 / 5021
BOXX-STP



BOXX-RISE
 Base support
 for BOXX

APE - 150 / 5025
BOXX-RISE



- Technical characteristics:**
- Structure material: stainless steel
 - Mounting bracket and base material: stainless steel



BOXX-XL

NEW



The extra-large BOXX version has been built to possess the maximum contentive capacity, so that it could hold switches, electric devices and central units.

- Technical characteristics:**
- Structure material: stainless steel

APE - 150 / 5045
BOXX-XL

