



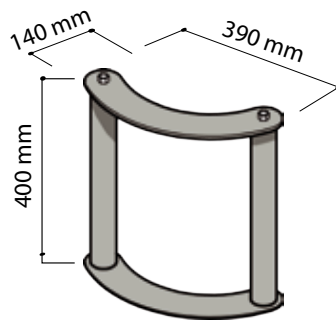
UNI-SAVE

Universal protection module



round high-strength
steel frame with
steel columns

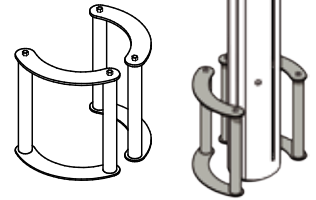
Peso 7,5 Kg



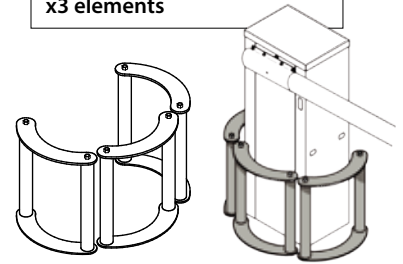
Individual module

Is a universal access control system protection module and much more. It is made of a modular metal structure that can be adapted to different applications, such as for example, to protect "POLY" chain barrier (2 elements).

configuration: **POLY-SAVE**
x2 elements



configuration: **BARRIER-SAVE**
x3 elements



APE - 150 / 8038

**Individual
UNI-SAVE module**